

Hefajst

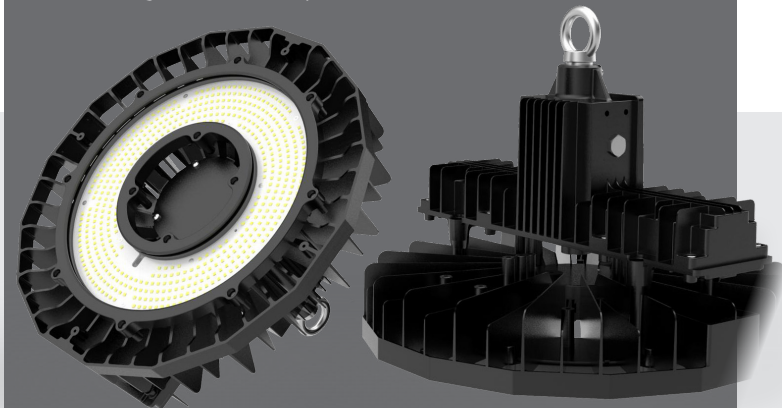
HEFAJST highbay light is specifically engineered for high-temperature industrial environments, operating reliably even in ambient conditions up to 65-70°C. Its advanced thermal management system, featuring a large dust-resistant heat sink and elevated driver box, ensures exceptional heat dissipation—delivering long lifespan and minimal lumen depreciation.

Made of Aluminum Alloy.



Up to **70°C**

- Hollow design for fast heat convection
- Driver inside special box, better for heat dissipation
- Large heatsink ensure sufficient radiant area, for good heat dissipation



Key features

- Working temperature up to 70°C
- High performance LED design delivering up to 165 lm/W, up to 33000lm
- Four wattages 100W, 120W, 150W, 200W
- Well-sealed with dust tight and waterproof rating of IP65
- Outstanding cooling performance with excellent air cross- ventilation design
- 50,000 hours, long life at L70@70°C
- DALI optional

Applications

- Warehouse
- Industrial facility
- Exhibition center
- Shopping mall
- Gymnasium
- Stations

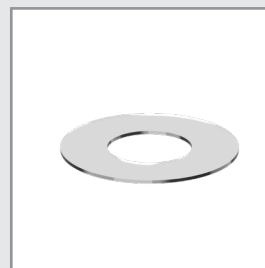
Accessories



ALU Reflector (HOOD09)



Ceiling Mount Bracket



Tempered Glass



Safety Chain

Technical Data @5000K

Model No.	HEFAJST 100	HEFAJST 120	HEFAJST 150	HEFAJST 200
Power Consumption (±5%)	100W	120W	150W	200W
Power Supply	PHILIPS			
Input Voltage	220-240 VAC, 50 / 60 Hz			
Power Factor	≥0.92			
Surge Protection	2kV line-line, 4kV line-earth			
Control	Non-dimmable, DALI Control			

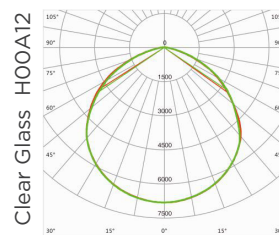
Optic Information

LED Type	LED 3030			
Luminous Flux (±5%)	16500lm	19800lm	24750lm	33000lm
Efficacy	165 lm/W			
Correlated Color Temperature	5000K (3000K, 4000K optional)			
Color Rendering Index	Ra70 (Ra80 optional)			
Beam Angle	H00A12			

Dimensions and Mounting

Product Dimension	Ø400x306.5mm		
Luminaire Net Weight (±0.3kg)	7.89kg		7.96kg
Mounting Option	Loop Hanging, Ceiling Mounting		
Material	Housing: Aluminum Alloy, Cover: Glass Cover		
Finish	Powder Coating		
Fixture Color	RAL 9017 Traffic Black		
IK Rating	IK07		
IP Rating	IP65		

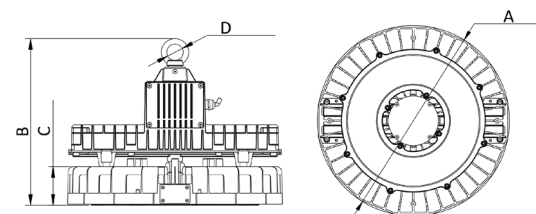
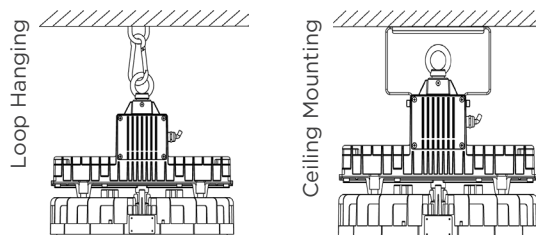
Photometry



Lifespan and Warranty

Operating Temperature	Normal: -30°C to + 70°C,
Lifetime of LED	>50.000Hrs (Ta=70°C@L70)
Warranty	5 Years

Mounting Option



Type	A (mm)	B (mm)	C (mm)	D (mm)
100 - 200W	Ø400	307	71	Ø30