

Edge G

EDGE G is a durable outdoor bollard light with AC power supply. Made from die-cast aluminum with a prismatic PC diffuser, it provides glare-free, uniform illumination.



Key features

- Die-cast aluminum base and extruded aluminum body
- PC prismatic diffuser for uniform, glare-free illumination
- Anti-UV pure polyester powder coating for long-lasting durability
- IP66 / IK09 protection rating
- Surface temperature of accessible parts stays below 50°C
- Powered via standard AC input

Accessories



Terminal Box



Expansion Bolts



More From Edge Family



Edge W Solar

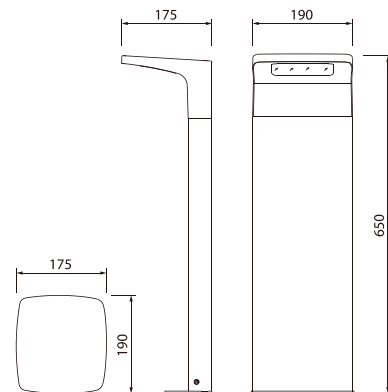


Edge G Solar

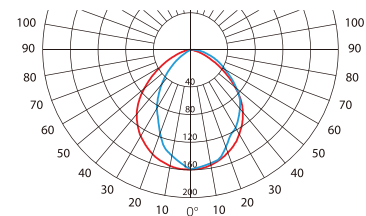


Edge W

Dimensions



Photometry



Technical Data

Code	Power	LED Qty	Input Voltage	Weight
Edge-G-LED-12-65	12W	60	100V-240V	3.2